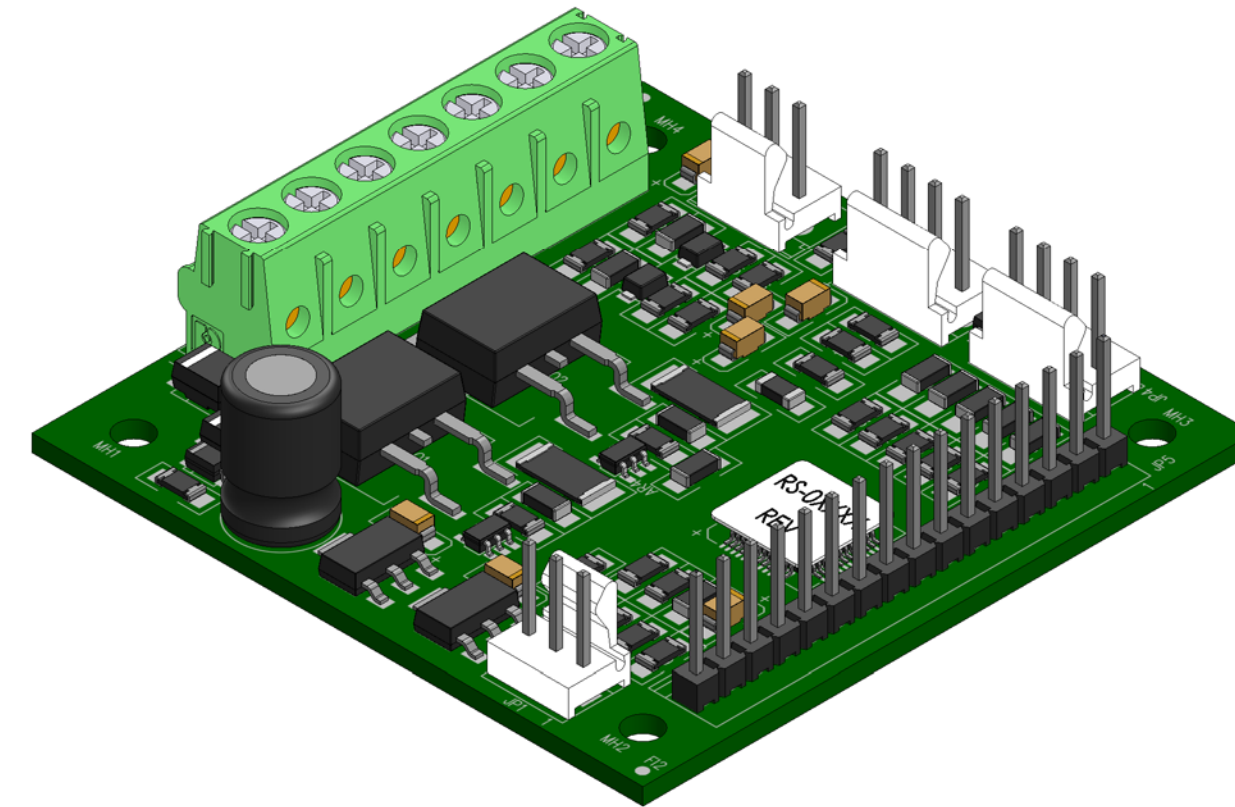
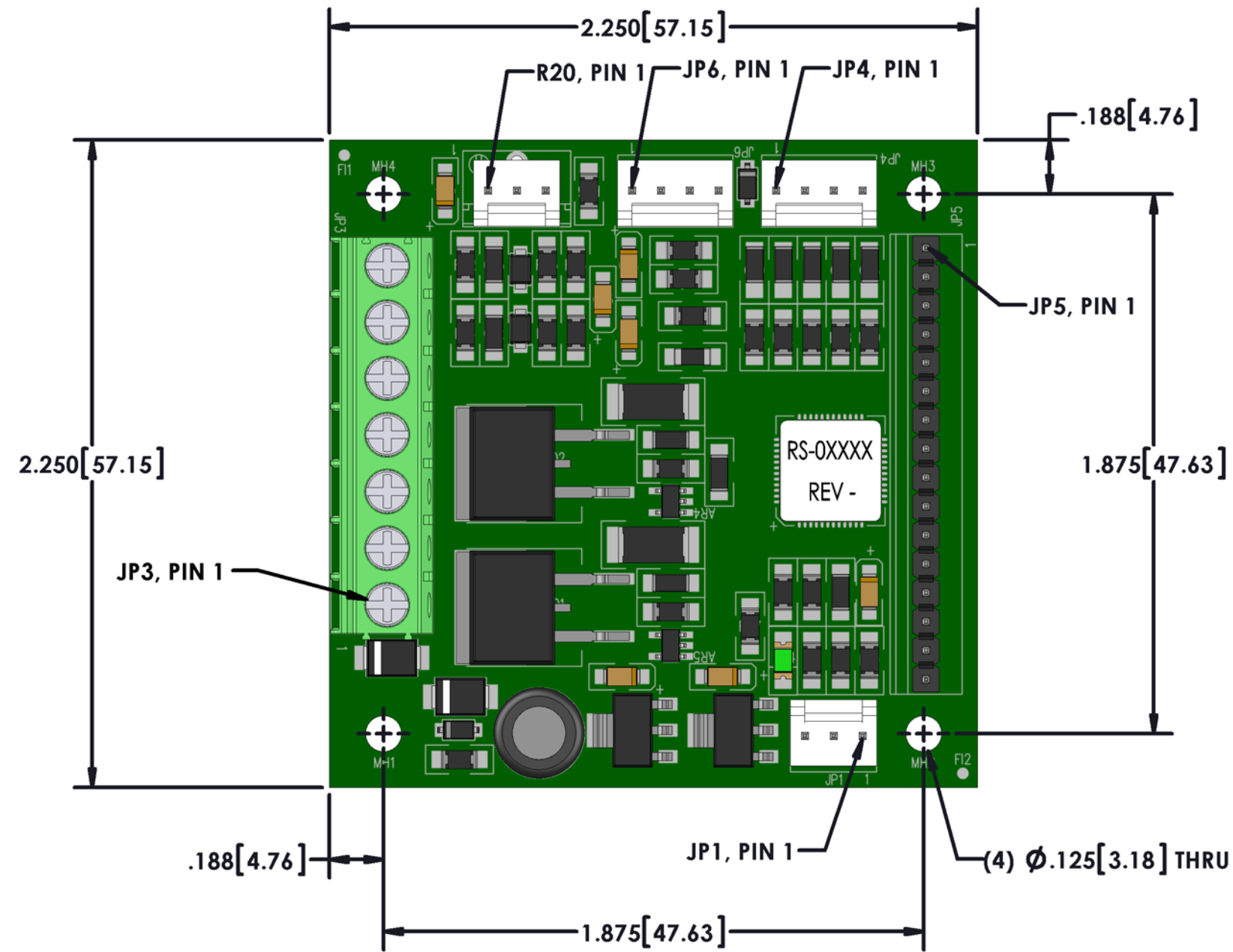
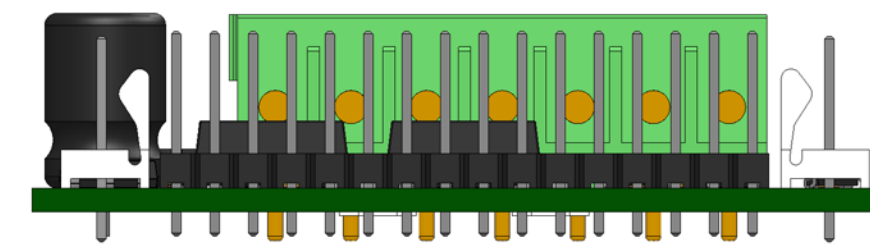
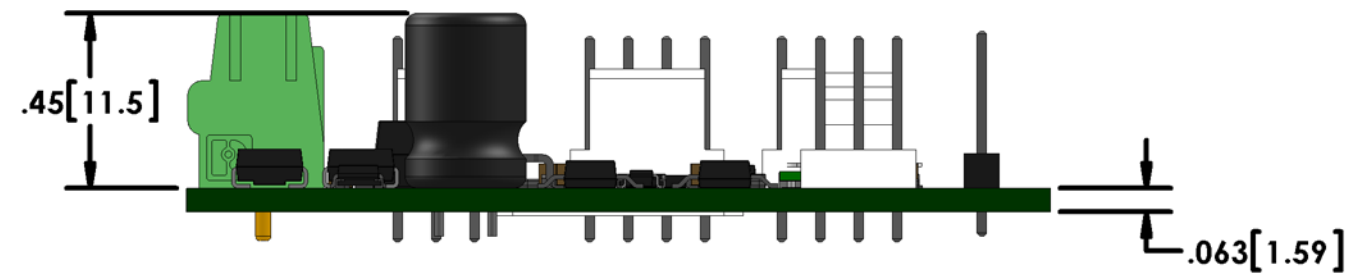


REVISIONS						
ZONE	REV	DESCRIPTION	BY	DATE	APPR.	DATE
	A	UPDATED DRAWING TO REV A PCB	TAS	11/12/15	SSS	11/12/15
	B	SHEET 2, UNDER JP3, C HANGED 6-36 VDC TO 7-36 VDC	TAS	1/11/16	SSS	1/11/16
	C	SHEET 2, REVISED JP3 CONNECTIONS	TAS	2/4/16	SSS	2/4/16



ISOMETRIC VIEW



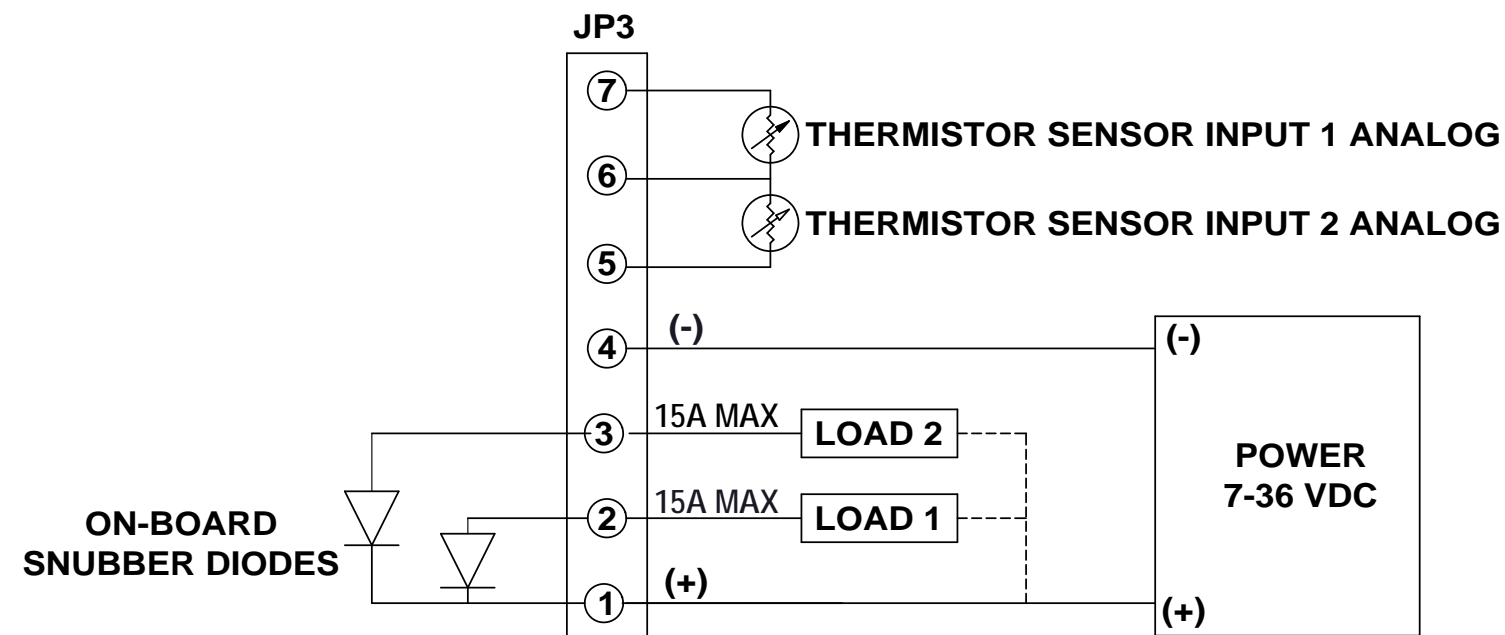
RoHS COMPLIANT  
**SEE SHEET 2 FOR CONNECTIONS & SENSOR INFORMATION**

DIMENSIONS ARE IN INCHES [MM] 2 PLACE DEC. ±.02 [0.5] 3 PLACE DEC. ±.010 [0.25] FRACTIONS ANGLES FINISH:	SIGNATURES	DATE	<b>LOVEN INDUSTRIES INC.</b> P. O. BOX 290, MECHANICSBURG, PA. 17055			
	DRAWN: TAS	1/15/15				
	CHECK: SSS	4/27/15	CUSTOMER DRAWING			
	MATERIAL:			SIZE C	FSCM NO. 21302	DWG NO. CDR-00456
			SCALE 2:1	MODEL 5R9-350	SHEET 1 OF 2	

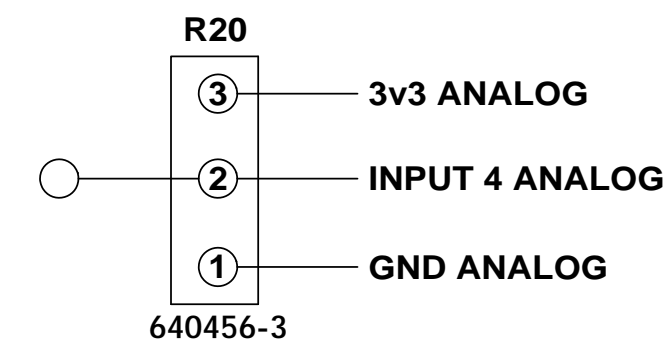
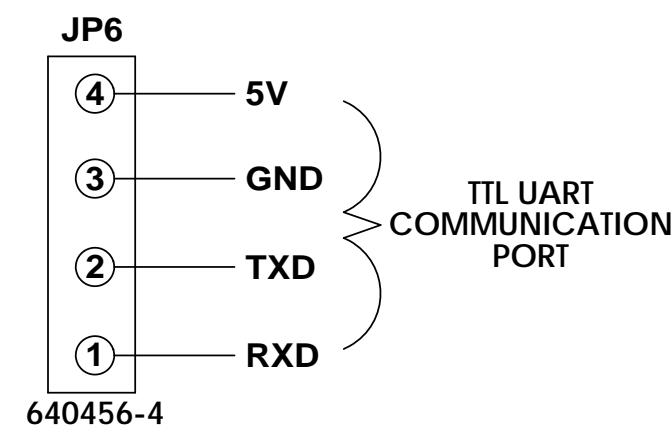
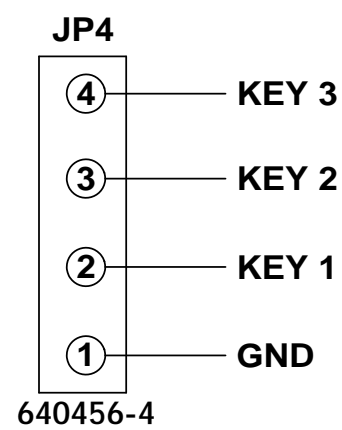
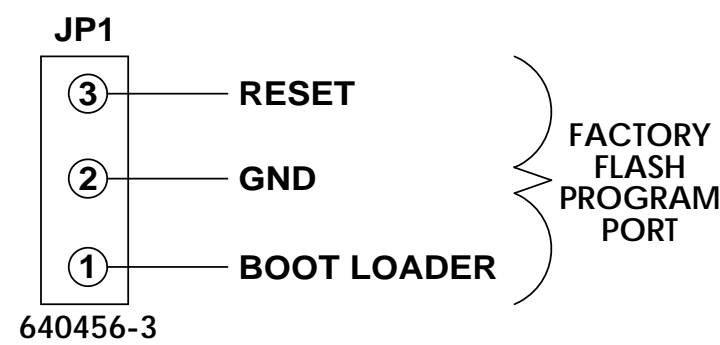


REVISIONS						
ZONE	REV	DESCRIPTION	BY	DATE	APPR.	DATE
		SEE SHEET 1 FOR REVISION INFORMATION				

### CONNECTIONS



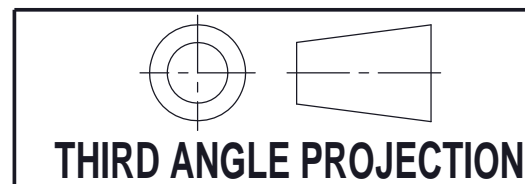
NOTE: LOAD 1 & LOAD 2 ARE OPEN DRAIN OUTPUTS. EACH OUTPUT HAS AN ON-BOARD SNUBBER DIODE. TOTAL OUTPUT CURRENT NOT TO EXCEED 18 AMPS.



DIMENSIONS ARE IN INCHES [MM]	SIGNATURES	DATE
2 PLACE DEC. ±.02 [0.5]	DRAWN: <b>TAS</b>	1/15/15
3 PLACE DEC. ±.010 [0.25]	CHECK: <b>SSS</b>	4/27/15
FRACTIONS	APPR:	
ANGLES	APPR:	

**OVEN INDUSTRIES INC.**  
P. O. BOX 290, MECHANICSBURG, PA. 17055

### CUSTOMER DRAWING



FINISH:	MATERIAL:
-	-

SIZE <b>C</b>	FSCM NO. <b>21302</b>	DWG NO.	<b>CDR-00456</b>
SCALE 2:1	MODEL 5R9-350	SHEET	2 OF 2